

LOWER SUPPLY CABINET

- STAINLESS STEEL

- LOWER FLOOR MODEL

Model #: CAB-XXXX-SS-L

APPLICATION:

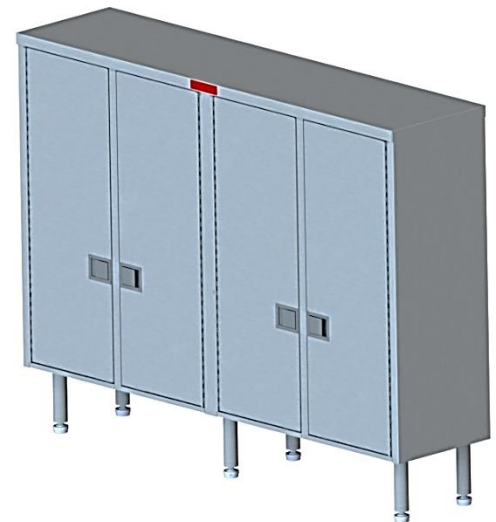
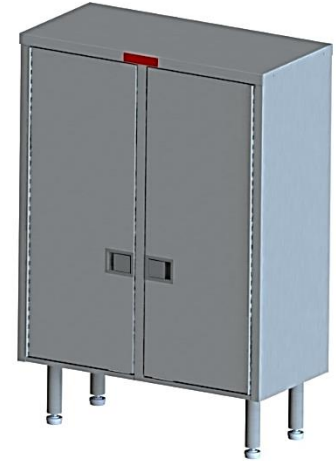
-Healthcare surgical storage
of miscellaneous items

SPECIFICATIONS:

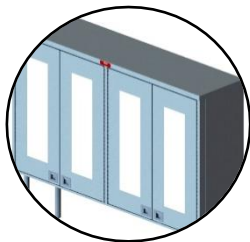
- Stainless steel type #304 or #316 finish
- Floor model profile
- Cabinetry available as one single unit with two compartments and doors
- Available in various door configurations; single, double, triple door, etc
- Cabinetry storage dimensions are customizable
- Front cabinetry doors are available all stainless steel or with Lexan, plexi, or tempered glass inserts
- Multiple door closure hardware choices; extended handle, s/s pull handle, paddle latch closure, lockable closures, etc
- Doors are equipped with stainless steel continuous piano hinges or lift-off style hinge assemblies
- Each cabinet compartment includes one stainless steel shelf, adjustable on 1" pilaster strips
- Stainless steel one piece counter top surface
- Stainless steel adjustable bullet feet on 5" legs

OPTIONAL FEATURES [1]:

- NP - Stainless steel nameplate
- 4" or 5" Casters
- AS - Additional adjustable shelves
- Single stainless steel top surface to fit over multiple cabinets



Optional Lexan, plexi or glass inserts in door



Upper cabinetry stackable over lower cabinetry without legs



Upper cabinetry mounted to wall over lower cabinetry



Optional single counter top over two sets of lower cabinetry



Wall mount upper cabinets also available ~ Contact Factory for custom design and pricing

© Copyright 2020 Hatch Industries Limited

CANADA/USA TOLL FREE: 1-800-387-6969 FAX: 1-519-822-8365 www.hatchindustries.com